

Part Number: PT924-12190

Kit Contents

Item #	Quantity Reqd.	Description
1	1	Rear Bumper Protector
2	1	Installation Instruction Sheet
3		

Hardware Bag Contents

Item #	Quantity Reqd.	Description
1		
2		
3		

Additional Items Required For Installation

Item #	Quantity Reqd.	Description
1		
2		
3		

Conflicts

None

Recommended Tools

Personal & Vehicle Protection	Notes
Special Tools	Notes
Installation Tools	Notes
Clean Lint Free Cloths	
Special Chemicals	Notes
VDC Approved Cleaner	

General Applicability

MY19 and newer Corolla vehicles

Recommended Sequence of Application







Item #	Accessory
1	
2	
3	

*Mandatory

Vehicle Service Parts (may be required for reassembly)

Item #	Quantity Reqd.	Description
1		
2		
3		

Legend

	STOP: Damage to the vehicle may occur. Do not proceed until process has been complied with.
	OPERATOR SAFETY: Use caution to avoid risk of injury.
	CAUTION: A process that must be carefully observed in order to reduce the risk of damage to the accessory/vehicle and to ensure a quality installation.
	TOOLS & EQUIPMENT: Used in Figures calls out the specific tools and equipment recommended for this process.
	REVISION MARK: This mark highlights a change in installation with respect to previous issue.
	SAFETY TORQUE: This mark indicates that torque is related to safety.

TOYOTA COROLLA HATCHBACK 2019 - REAR BUMPER PROTECTOR Procedure

Care must be taken when installing this accessory to ensure damage does not occur to the vehicle. The installation of this accessory should follow approved guidelines to ensure a quality installation.

These guidelines can be found in the "Accessory Installation Practices" document.


This document covers such items as:-

- Vehicle Protection (use of covers and blankets, cleaning chemicals, etc.).
- Safety (eye protection, rechecking torque procedure, etc.).
- Vehicle Disassembly/Reassembly (panel removal, part storage, etc.).
- Electrical Component Disassembly/Reassembly (battery disconnection, connector removal, etc.).

Please see your Toyota dealer for a copy of this document.

1. Prepare the Vehicle.


(a) Open the package and check the part for damage.

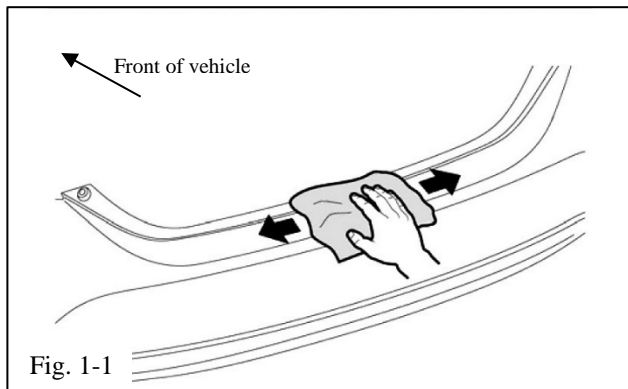
 (b) Ensure that the rear bumper protector and the vehicle bumper are at least 60°F (15°C) – 109°F (43°C).

(c) Open the trunk lid.

(d) Use VDC approved cleaner on a clean lint free cloth and scrub the top surface of the rear bumper (Fig 1-1).

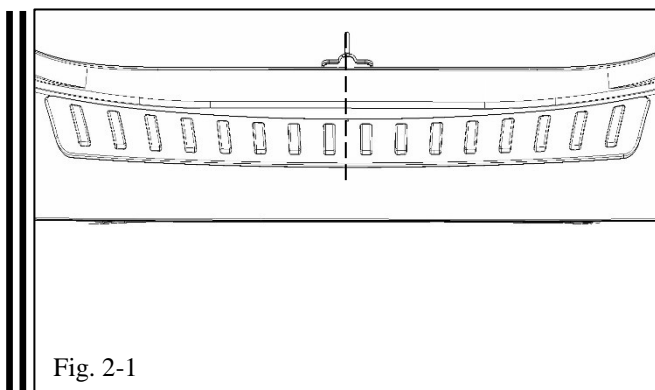
(e) Wipe the scrubbed bumper surface with a clean, dry, lint free cloth.

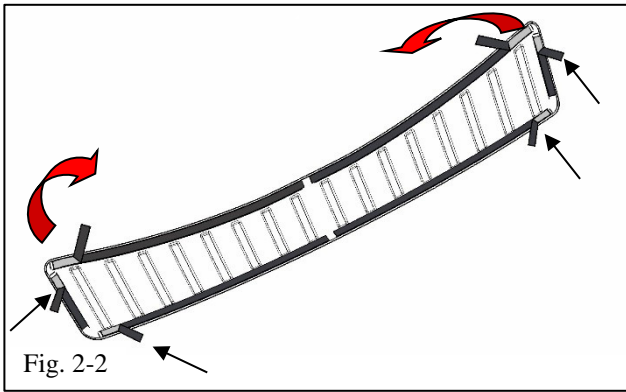
 **NOTE:** Once cleaned, do not contaminate this surface by touching it with bare skin.



2. Install the Rear Bumper Protector.

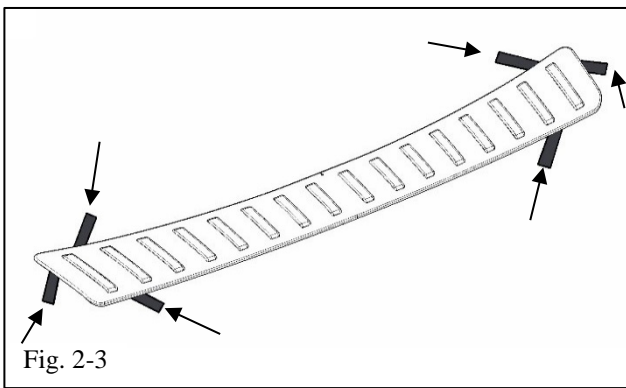
(a) Before installing the rear bumper protector ensure the central arrow is aligned with the center of the vehicle or lift gate striker (dry fit) (Fig 2-1).



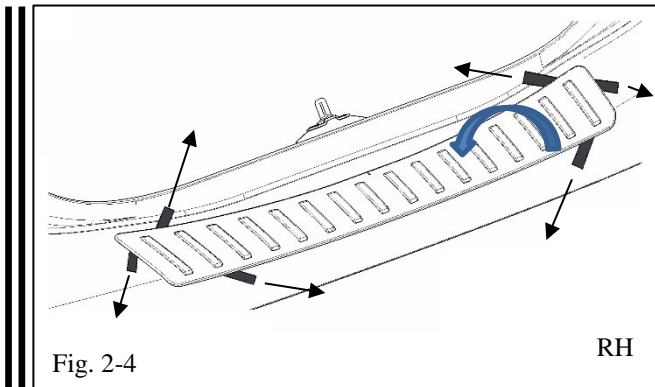


- (b) While carefully holding the rear bumper protector by its edges, pull all the plastic liner tabs at the ends of the tapes to expose approximately 1½" (40mm) of tape (Fig 2-2).

⚠ NOTE: Once the liner is removed from the rear bumper protector the surface of the tape must not be touched.



- (c) Ensure all the tabs are folded so they can be accessed from the top once the protector is seated on the rear bumper (Fig 2-3).
- (d) While keeping the rear bumper protector aligned, lower the right-hand corner until it contacts the bumper and starts to stick. Using a rolling motion, press the rest of the protector from right to left. **Do not** allow both ends of the protector to stick to the bumper before the center touches.



- (e) Once the exposed tape has been secured, pull out and discard all of the liners to allow full tape contact with the rear bumper (Fig 2-4).

⚠ (f) Press down firmly around the entire perimeter (15 lbs pressure) of the protector to ensure full adhesion of the tape to the rear bumper.

3. Complete the Installation.

- (a) Close the trunk lid.

TOYOTA COROLLA HATCHBACK 2019 - REAR BUMPER PROTECTOR

Checklist - these points **MUST** be checked to ensure a quality installation.

<u>Check:</u>	<u>Look For:</u>
<p><u>Accessory Function Checks</u></p> <p><input type="checkbox"/> Check visual alignment</p> <p><input type="checkbox"/> Check for proper tape adhesion</p>	<p>Rear Bumper Protector should be visually centered left to right.</p> <p>The front edge of the protector should appear visually parallel to the vehicle bumper. (+/- 3mm centered)</p> <p>The protector lip should align with the contour of the bumper surface.</p> <p>A gap of approximately 1mm (0.04”) is designed to exist under the edges of the protector and the bumper.</p> <p>No gap is allowed between the tape and the bumper.</p>
<p><u>Vehicle Function Checks</u></p> <p><input type="checkbox"/> Confirm the trunk lid closes properly</p>	<p>The protector must not hinder the closure of the trunk lid.</p>
<p><u>Vehicle Appearance Check</u></p> <p><input type="checkbox"/> After accessory installation and removal of protective cover(s), perform a visual inspection.</p>	<p>Ensure no damage (including scuffs and scratches) was caused during the installation process.</p> <p>(For PPO installations, refer to TMS Accessory Quality Shipping Standard.)</p>